

LZ 129 Hindenburg Construction manual.

1, This model is designed especially for ColorFabb LW-PLA filament that is very light weight and rigidity almost same as balsa wood, also, the light transparent characteristic is very unique for lamp just like for Sealing lamp. To use the LW PLA filament makes best result.

Specification

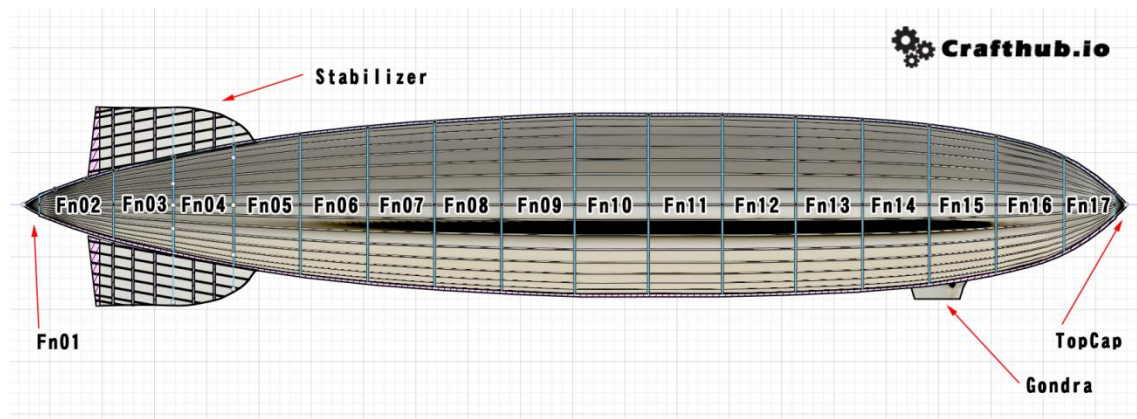
Length 1054.26mm

Diameter:171.75mm

1/250 scale

2. Parts list

This Zip file consists of 24 STL files. However, assembly is not difficult. You don't need any special tools. You have to need a craft knife, CA glue,



Filename

1. LZ 129 Hindenburg_FN01.STL
(End Cap)
2. LZ 129 Hindenburg_FN01cap.STL
(Cover rid)
3. LZ 129 Hindenburg_FN02.STL
4. LZ 129 Hindenburg_FN03.STL
5. LZ 129 Hindenburg_FN04.STL
6. LZ 129 Hindenburg_FN05.STL
7. LZ 129 Hindenburg_FN06.STL
8. LZ 129 Hindenburg_FN07.STL
9. LZ 129 Hindenburg_FN08.STL
10. LZ 129 Hindenburg_FN09.STL
11. LZ 129 Hindenburg_FN10STL

12. LZ 129 Hindenburg_FN11.STL
13. LZ 129 Hindenburg_FN12.STL
14. LZ 129 Hindenburg_FN13.STL
15. LZ 129 Hindenburg_FN14.STL
16. LZ 129 Hindenburg_FN15.STL
17. LZ 129 Hindenburg_FN16.STL
18. LZ 129 Hindenburg_FN17.STL
19. LZ 129 Hindenburg_TopCap.STL
20. LZ 129 Hindenburg_fin.STL
(Stabilizer)
21. LZ 129 Hindenburg_Gondra.STL
22. LZ 129 Hindenburg_LEDHolder.STL
23. LZ 129 Hindenburg_LEDHolderEnd..STL
24. LZ 129 Hindenburg_engine_Car.STL
(Engine pod. For detail up)

Another material that you need

1. Flexible LED Strip Light 3m
2. Carbon rod 500mm*Dia4mm *2
For LED frame
3. Plastic board Thickness 1mm
For LED frame
4. Acrylic rod Dia 3mm
For fix Vertical/holizontal Stabilizer



Printout Tip

LW PLA is a great material, however, you want to realize this nice character, please set to correct parameter. More detail is down below.

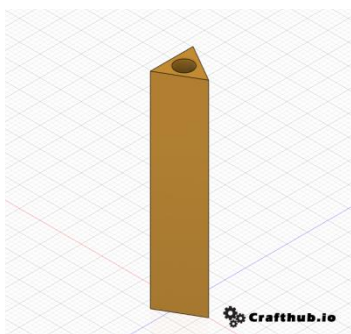
<https://learn.colorfabb.com/print-lw-pla/>

Assembling Tip

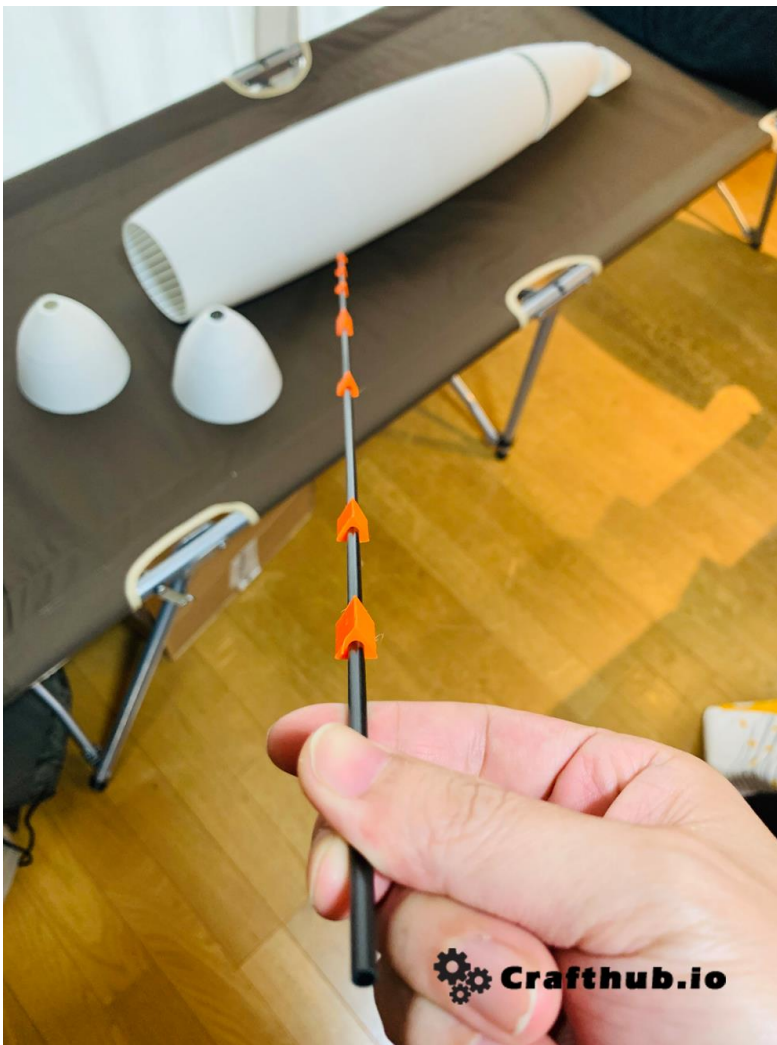
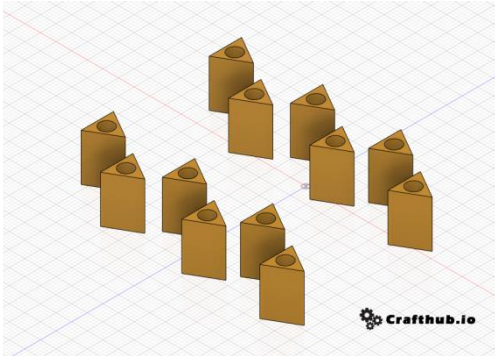


Use Microlinetape for emphasizing frame.

LED holder



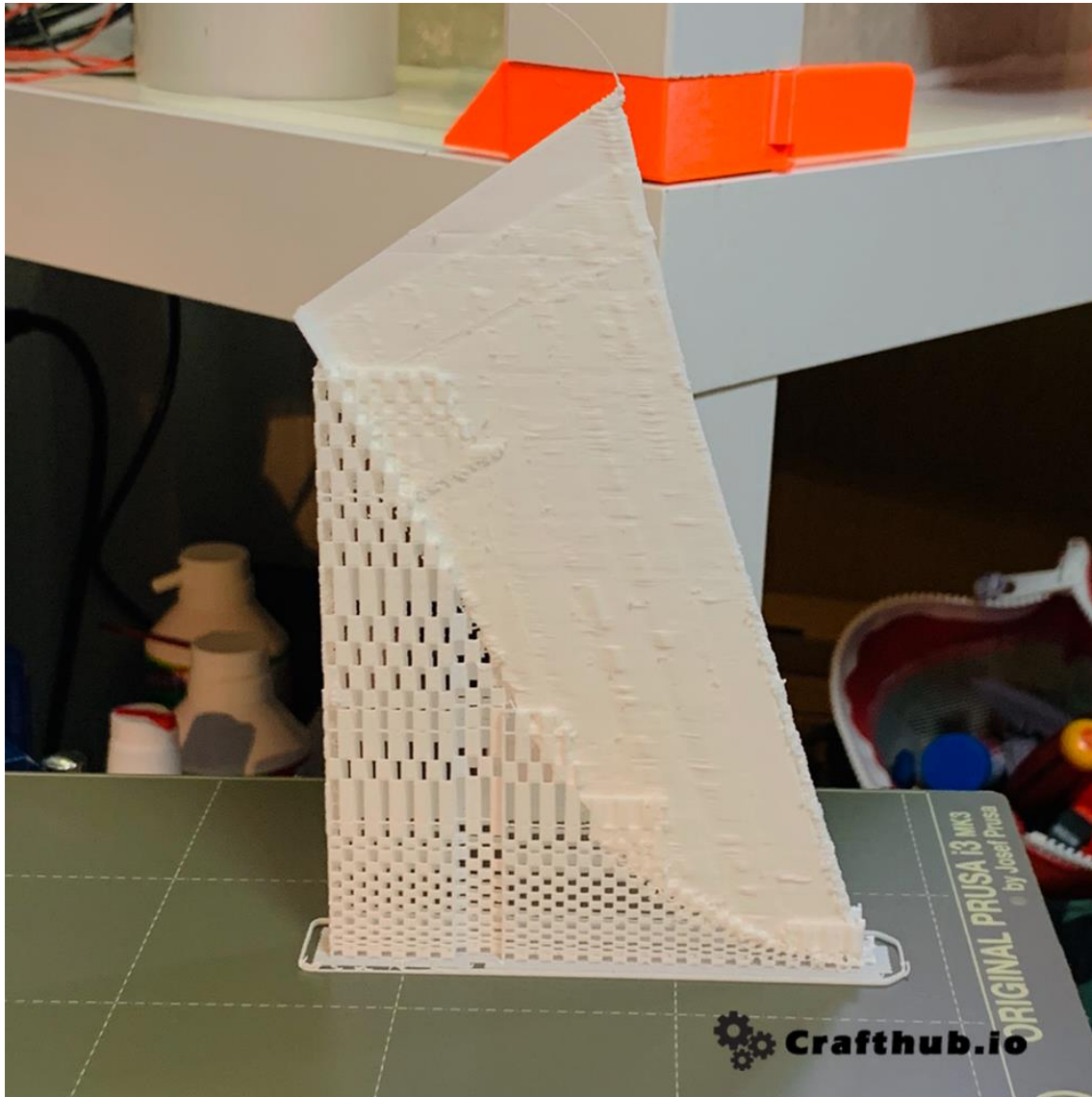
Using LEDHolder, connect 2CarbonRod and add LED holder end as you need.



Make a triangle surface with plastic board and apply a LED strip using dubleside tape.



Print out Stabilizer

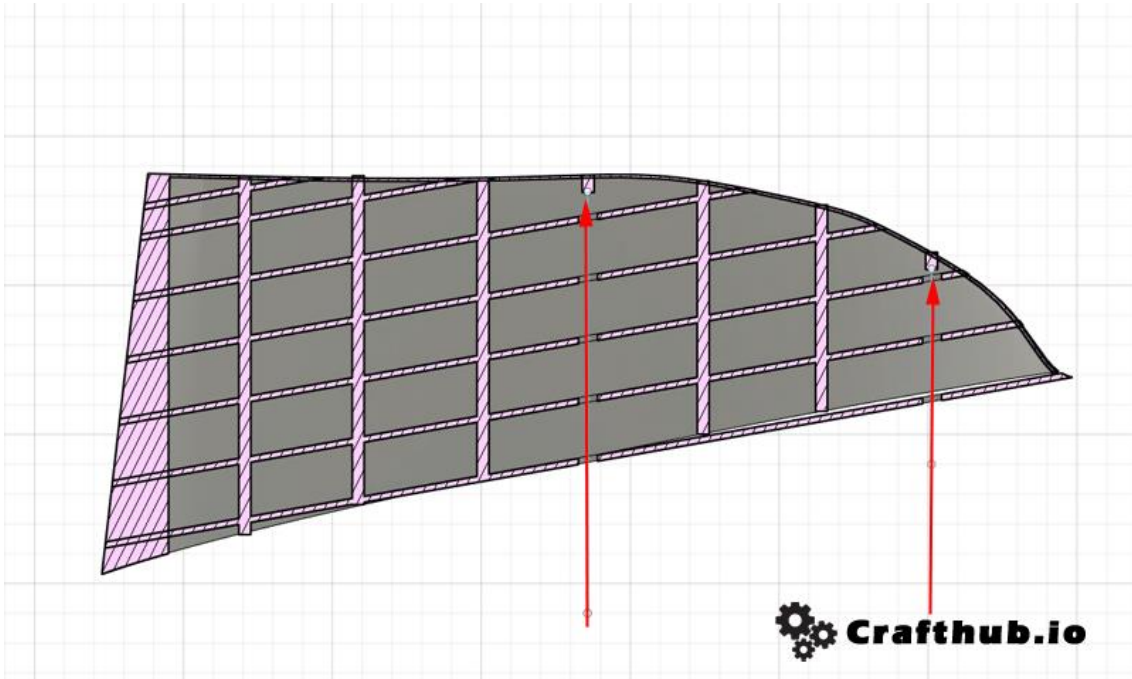


To make an internal rib structure, you should print out in this way. Otherwise, some impressive rib couldn't build inside of Fin stabilizer. This material has a transparency so this print direction is important.

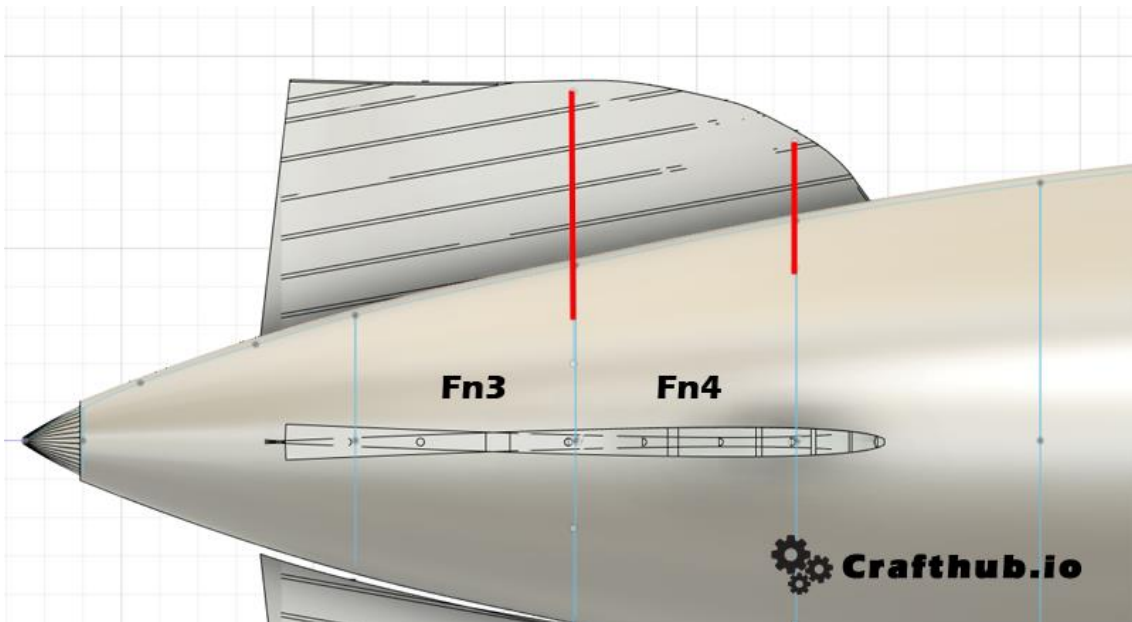
Install the stabilizer to the body

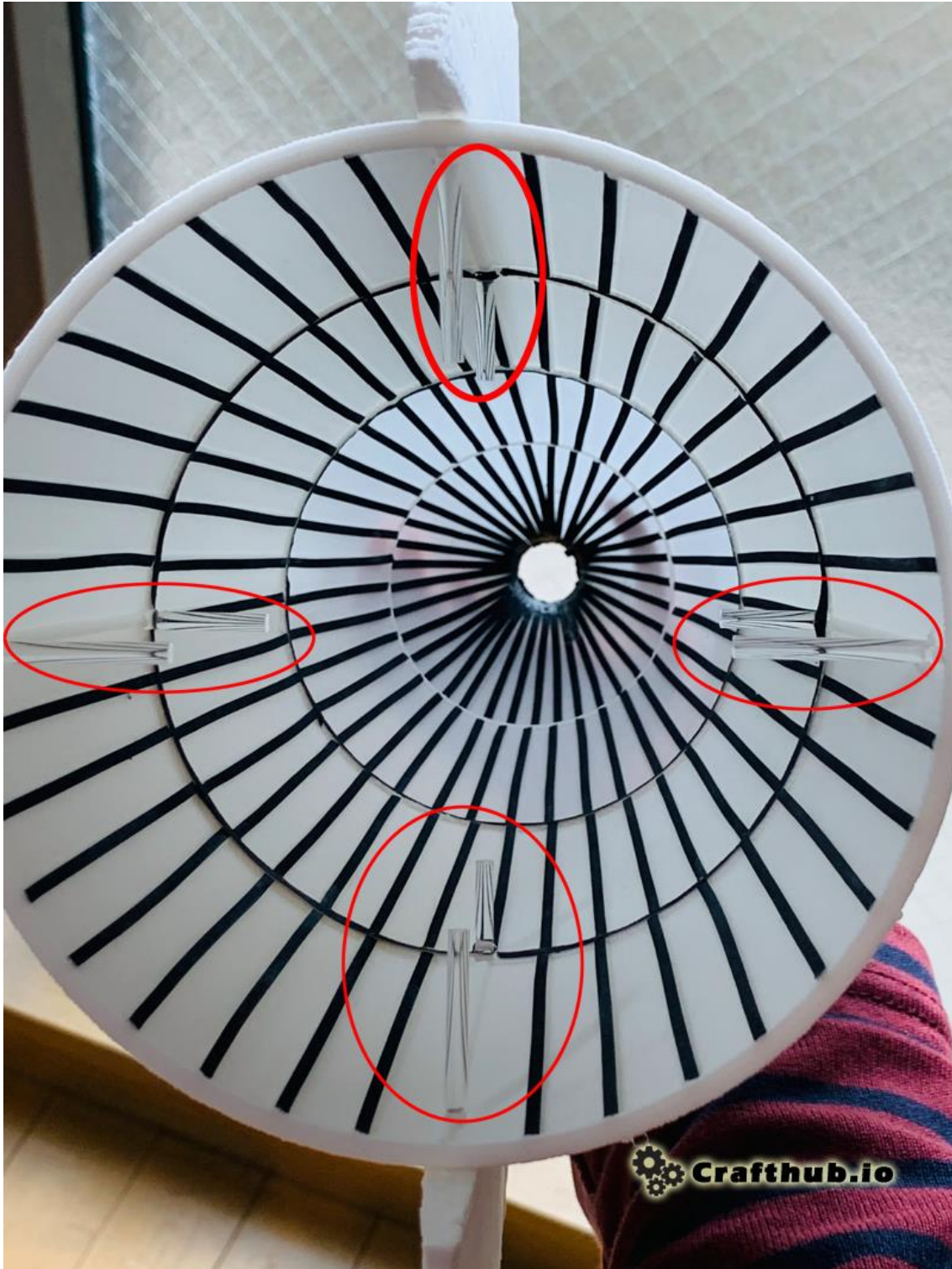
s

Stabilizer



Stabilizer had builtin ribs and fixed the hole on the red arrow part. Insert the 3mm Acrylic rod to this position.





This rod guides some light and glow stabilizer a bit
Stabilizer and body should fix via CA glue.

Disclaimer

This is an STL file kit. Not include any physical parts.

Do not use this file for commercial purpose without any permission.

If you have any question, please contact is via a form.

<https://www.crafthub.io/contact-us/>